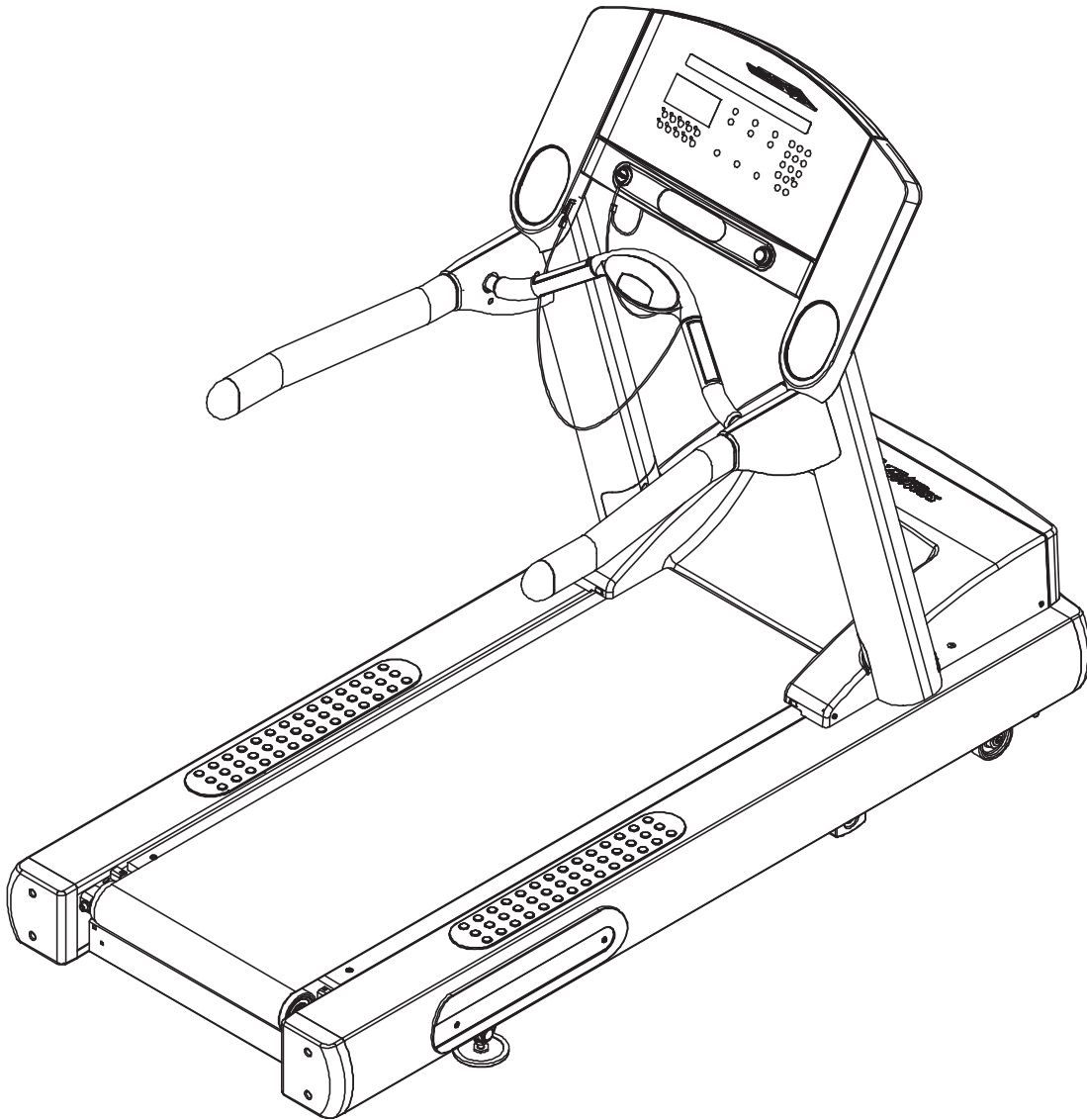


LifeFitness

TREADMILL 95TE



Customer Support Services **PARTS MANUAL** REV. 09/09/05

TREADMILL 95TE

DOCUMENTATION

Touch-Up Paint	Color	Container
0017-00008-0196	Silver Bullet	Bottle
0017-00008-0197	Silver Bullet	Spray Can
0017-00008-0198	Stealth Gray	Bottle
0017-00008-0199	Stealth Gray	Spray Can

Manual/Video	Part Number
Operation Manual, Eng	M051-00K58-A111
Service Manual	M051-00K58-B097

TREADMILL 95TE

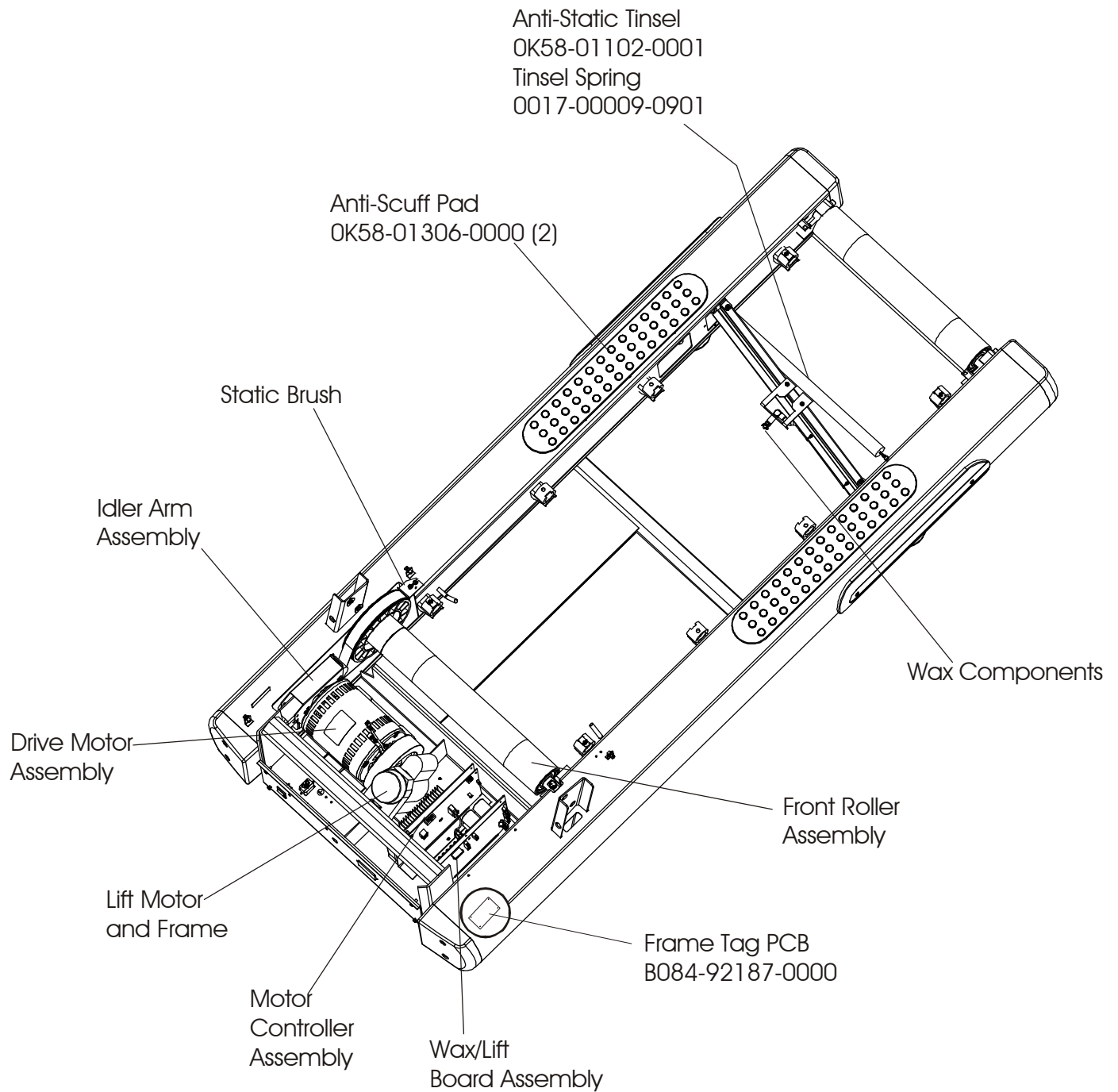
Contents

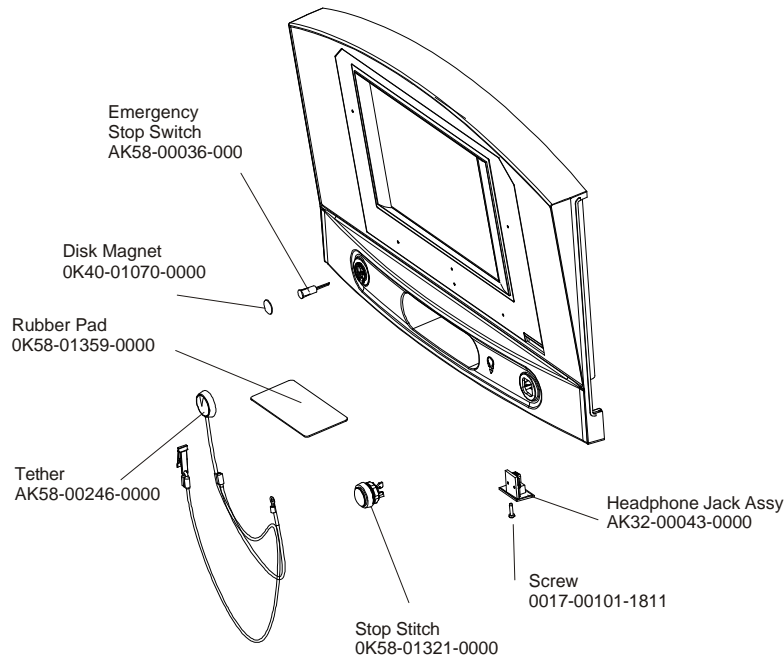
	PAGE
FRAME ASSEMBLY	4
CONSOLE ASSEMBLY	5
CONSOLE COMPONENTS.....	6
HANDRAIL ASSEMBLY	7
COVERS, END CAPS, HARDWARE	8
BELT, DECK, REAR ROLLER.....	9
WAX/LIFT ASSEMBLY	10
MOTOR CONTROLLER ASSEMBLY	11
LIFT MOTOR & FRAME.....	12
DRIVE MOTOR ASSEMBLY	13
WAX COMPONENTS	14
IDLER ARM & STATIC BRUSH.....	15
LEVELER ASSEMBLY.....	16
FRONT ROLLER ASSEMBLY	17
ERGO BAR W/LIFEPULSE.....	18
POWER COMPONENTS	19
CABLE.....	20

TREADMILL 95TE

Frame Assembly

95TE-0__ _ 01
TTE100000





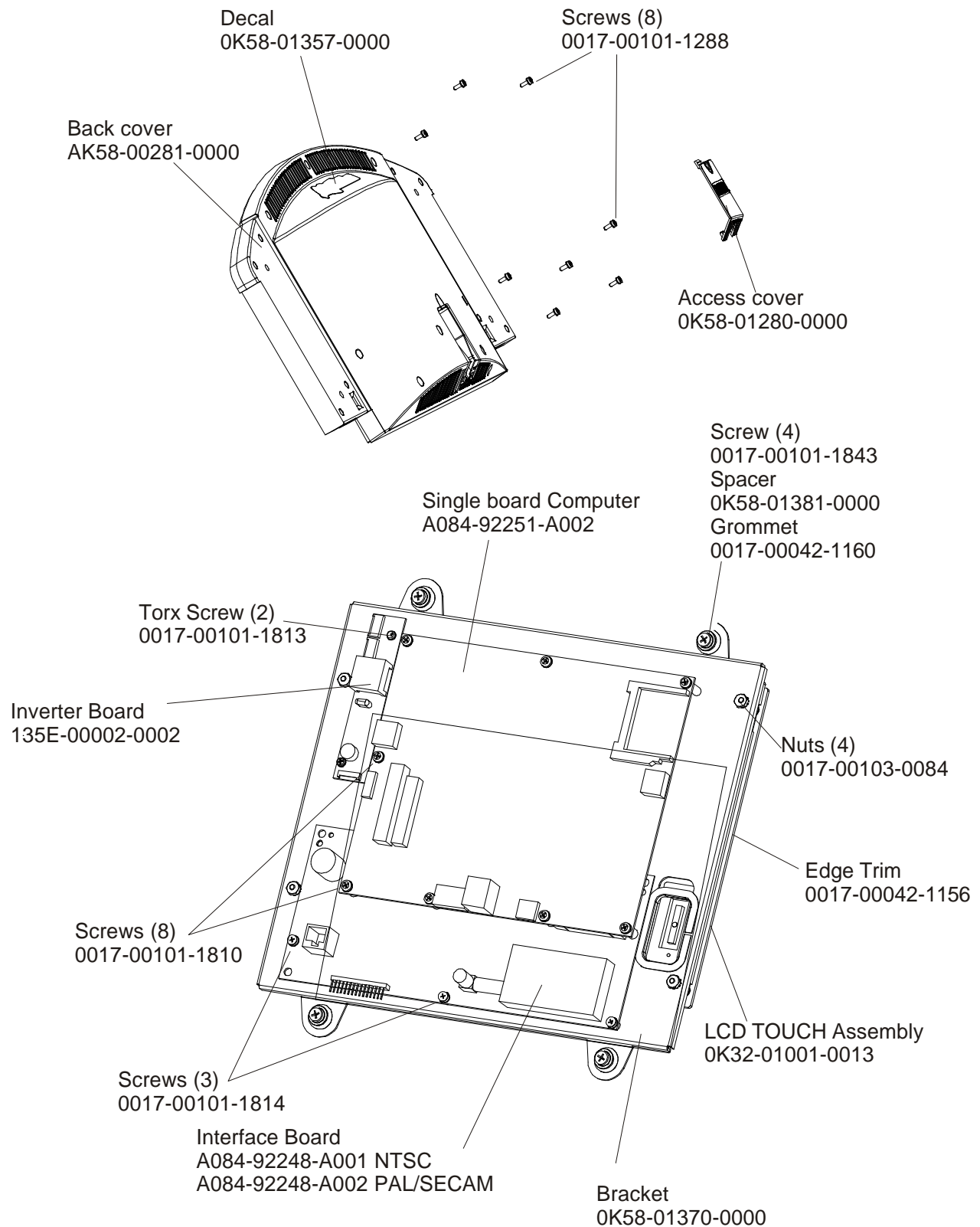
CONSOLE ASSEMBLY	
Part number	Description
GK58-00002-0077	SERV KIT LCD CONS NTSC ENG
GK58-00002-0078	SERV KIT LCD CONS NTSC SPN
GK58-00002-0079	SERV KIT LCD CONS NTSC JAP
GK58-00002-0080	SERV KIT LCD CONS NTSC FRN
GK58-00002-0081	SERV KIT LCD CONS NTSC POR
GK58-00002-0082	SERV KIT LCD CONS PAL ENG
GK58-00002-0083	SERV KIT LCD CONS PAL GER
GK58-00002-0084	SERV KIT LCD CONS PAL SPN
GK58-00002-0085	SERV KIT LCD CONS PAL FRN
GK58-00002-0086	SERV KIT LCD CONS PAL ITL
GK58-00002-0087	SERV KIT LCD CONS PAL DUT
GK58-00002-0088	SERV KIT LCD CONS PAL POR

OVERLAY BEZEL ASSEMBLY	
Part number	Description
AK58-00516-0001	BZL/SW W/OVERLAY ASSY: MFG; ENG/NTSC
AK58-00516-0004	BZL/SW W/OVERLAY ASSY: MFG; SPN/NTSC
AK58-00516-0006	BZL/SW W/OVERLAY ASSY: MFG; JAP/NTSC
AK58-00516-0007	BZL/SW W/OVERLAY ASSY: MFG; FRN/NTSC
AK58-00516-0010	BZL/SW W/OVERLAY ASSY: MFG; POR/NTSC
AK58-00517-0001	BZL/SW W/OVERLAY ASSY: MFG; ENG/PAL
AK58-00517-0003	BZL/SW W/OVERLAY ASSY: MFG; GER/PAL
AK58-00517-0004	BZL/SW W/OVERLAY ASSY: MFG; SPN/PAL
AK58-00517-0007	BZL/SW W/OVERLAY ASSY: MFG; FRN/PAL
AK58-00517-0008	BZL/SW W/OVERLAY ASSY: MFG; ITL/PAL
AK58-00517-0009	BZL/SW W/OVERLAY ASSY: MFG; DUT/PAL
AK58-00517-0010	BZL/SW W/OVERLAY ASSY: MFG; POR/PAL

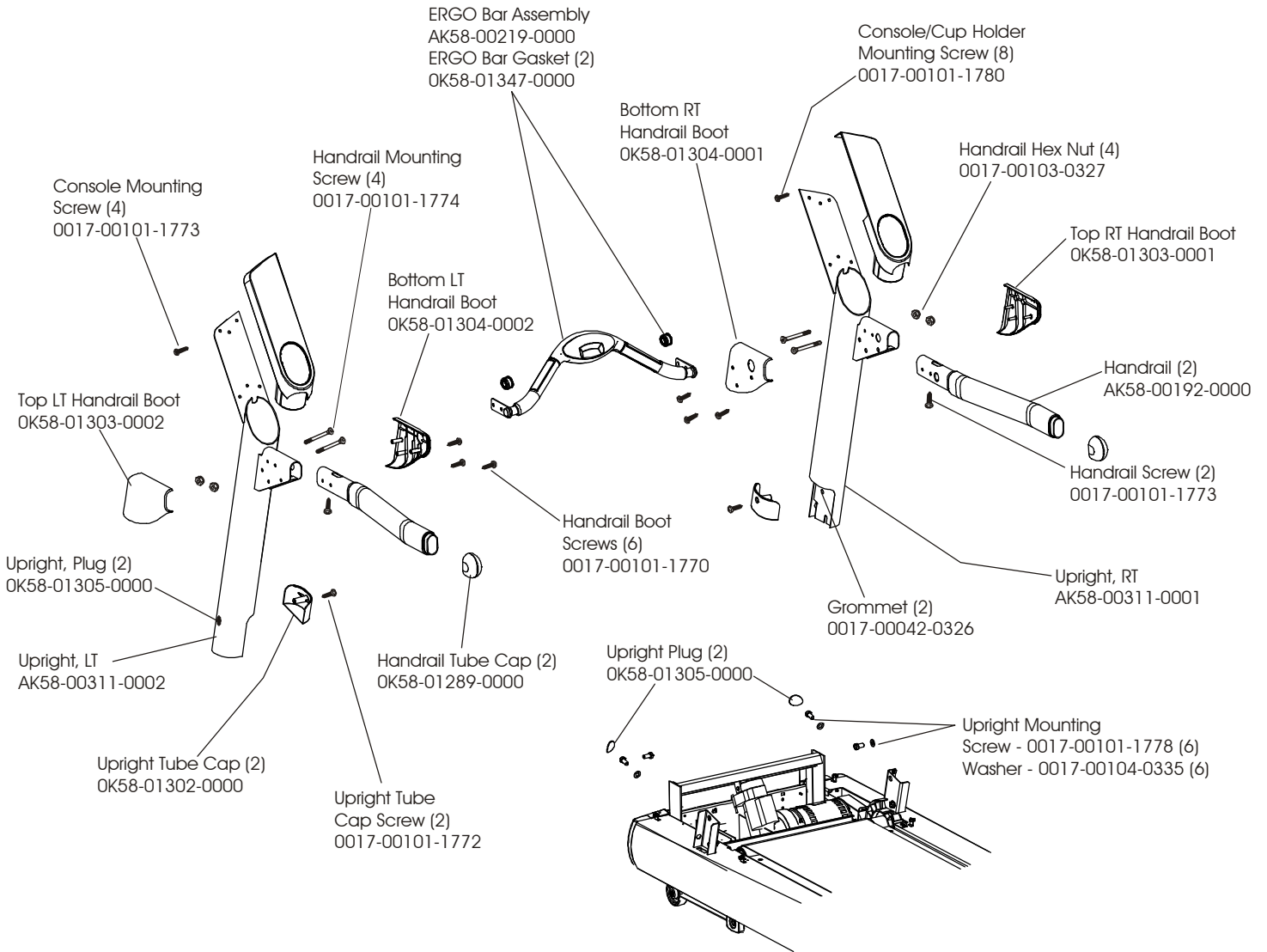
TREADMILL 95TE

Console Components

95TE-0__ _ 01
TTE100000



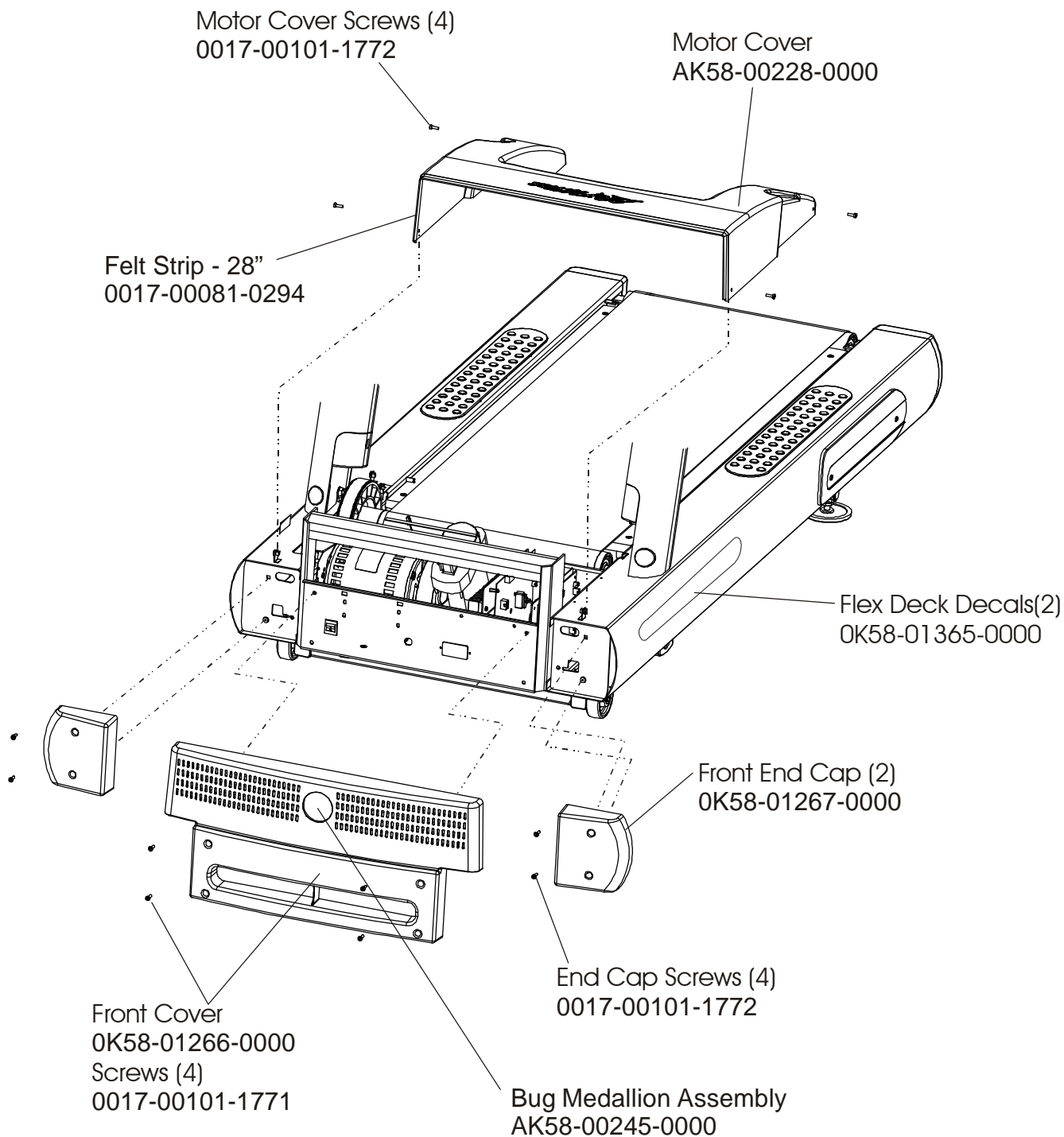
Hardware Bag Assembly
AK58-00226-0000



TREADMILL 95TE

Covers, End Caps, Hardware

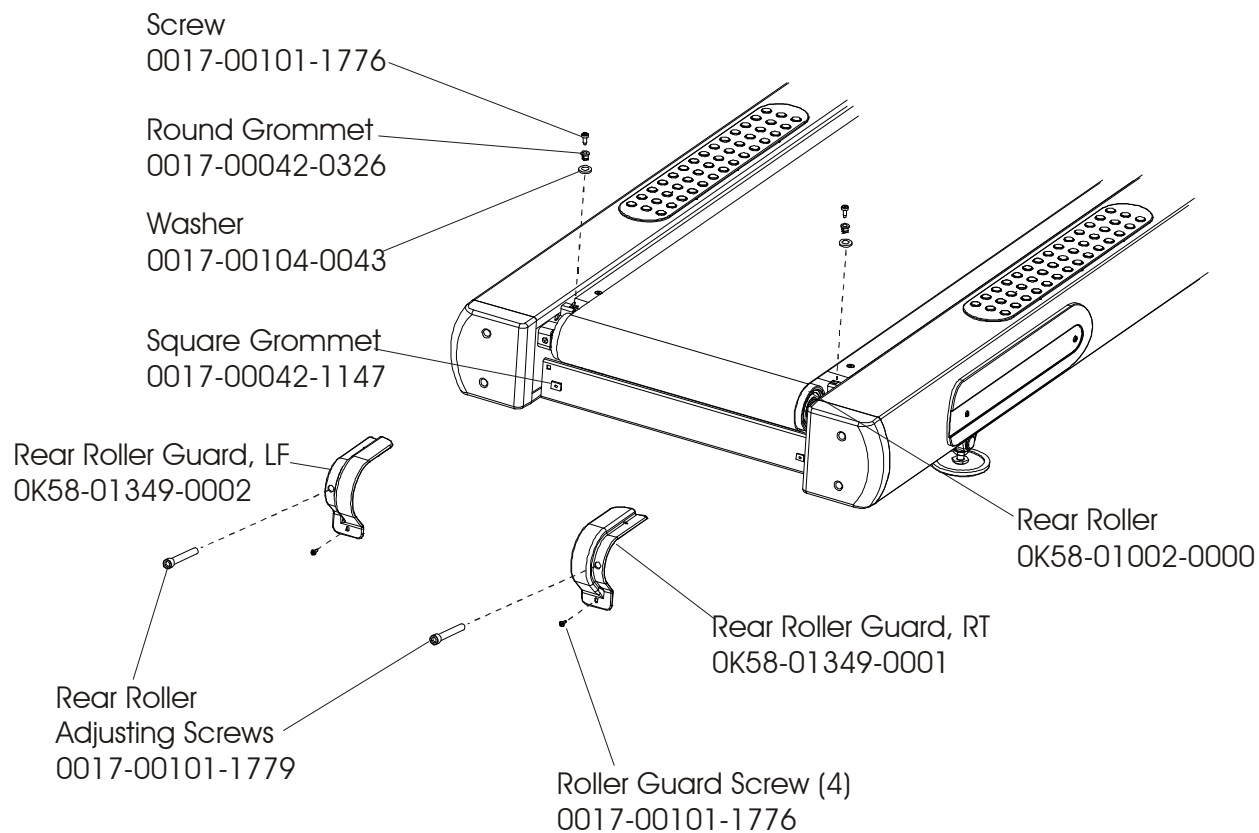
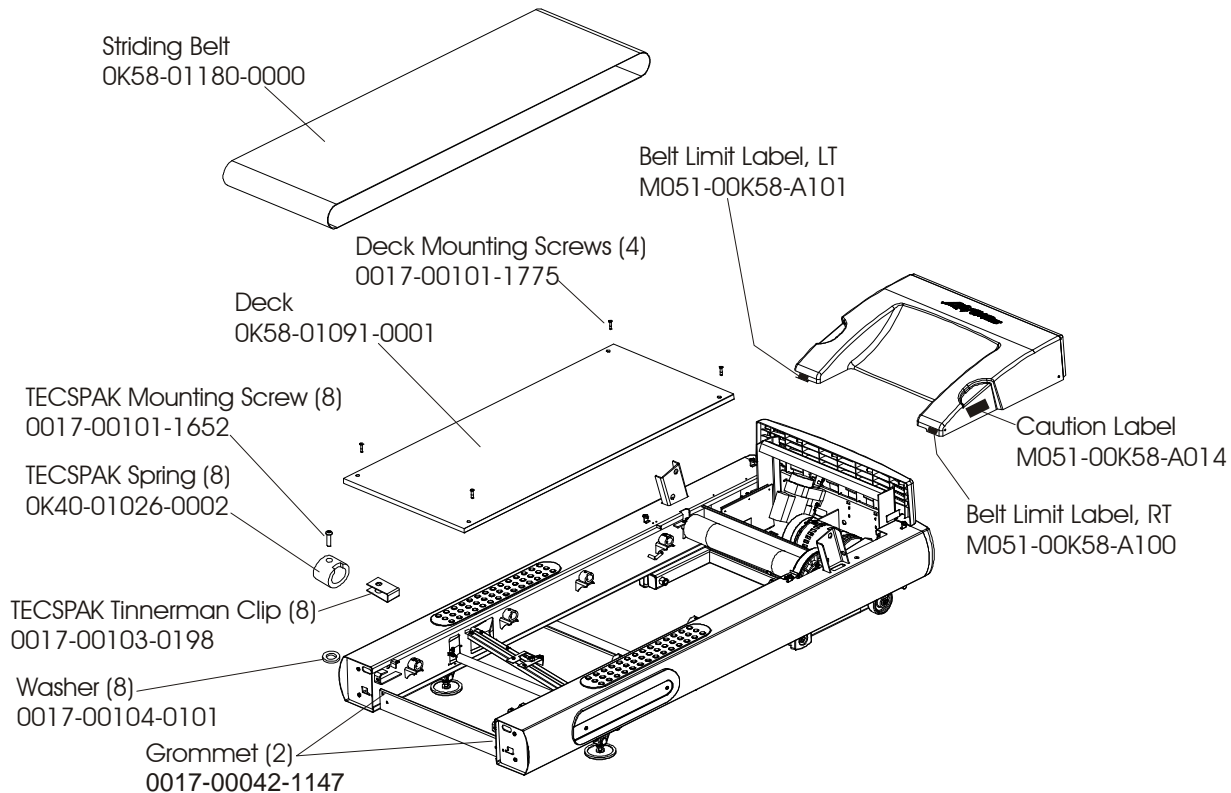
95TE-0__ _ 01
TTE100000

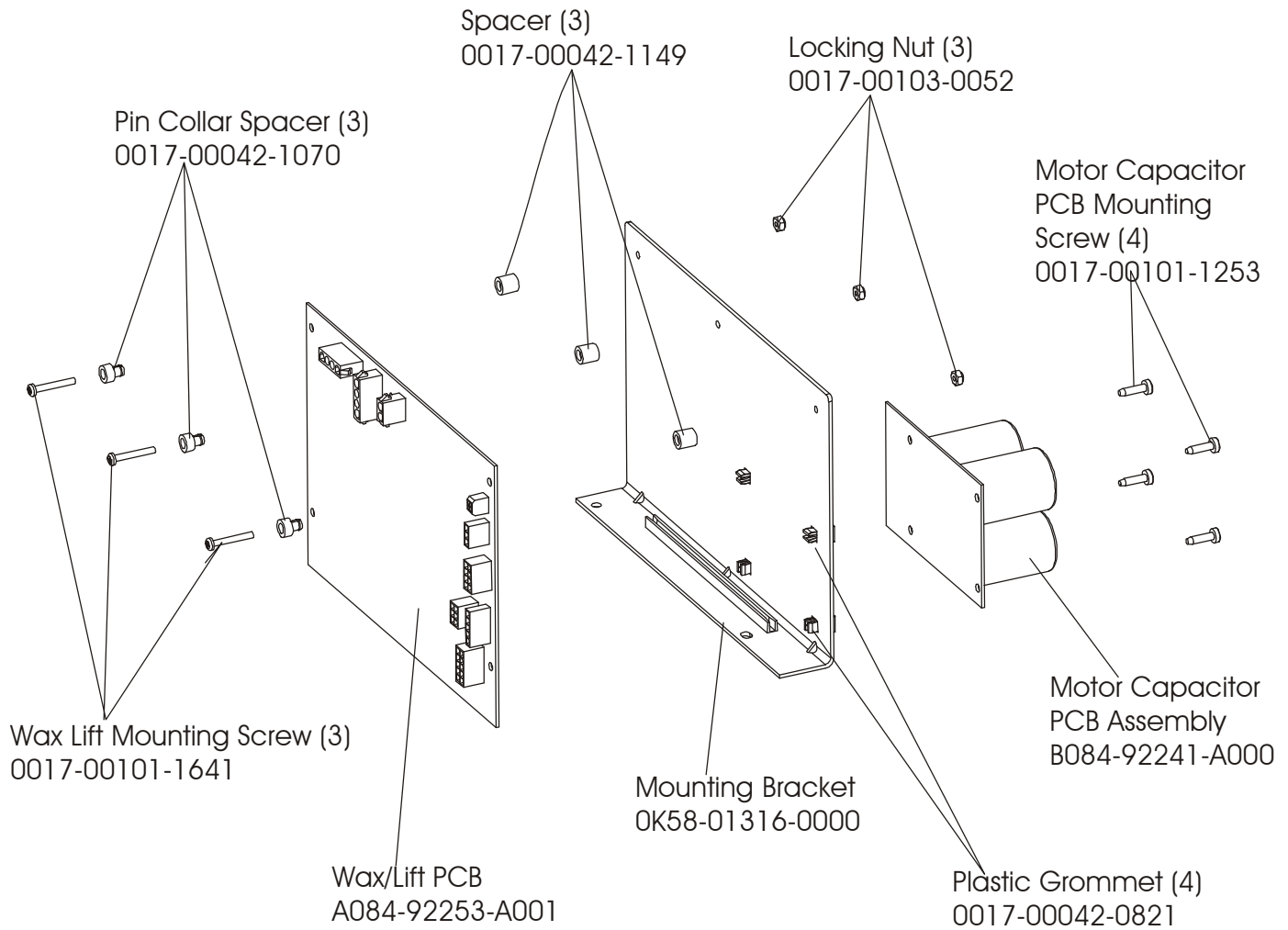


TREADMILL 95TE

Belt, Deck, Rear Roller

95TE-0__ _ 01
TTE100000

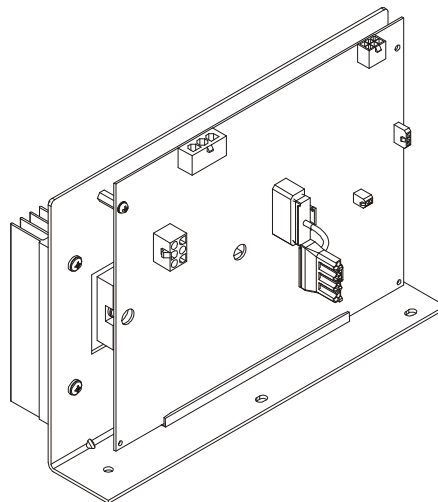




TREADMILL 95TE
Motor Controller Assembly

95TE-0__ _ 01
TTE100000

AK58-00242-0000 (120v/60Hz)
AK58-00242-0001 (230v/50Hz)

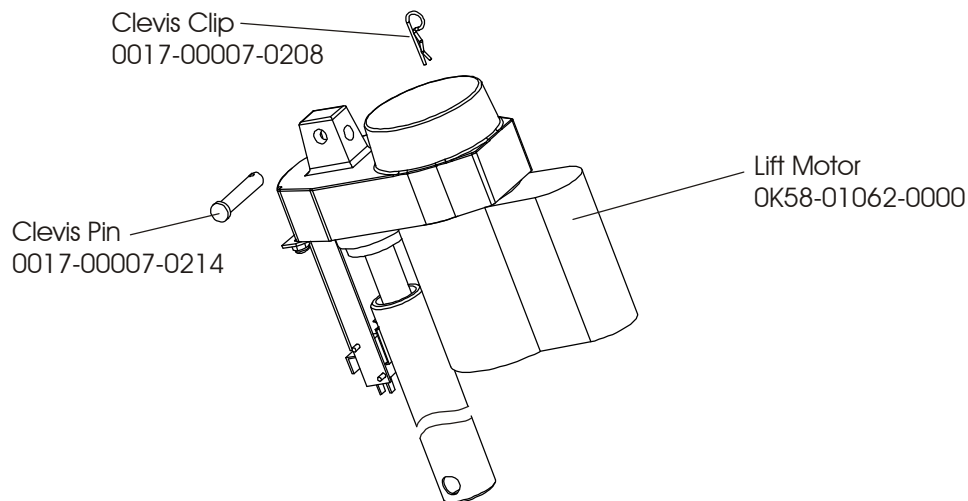
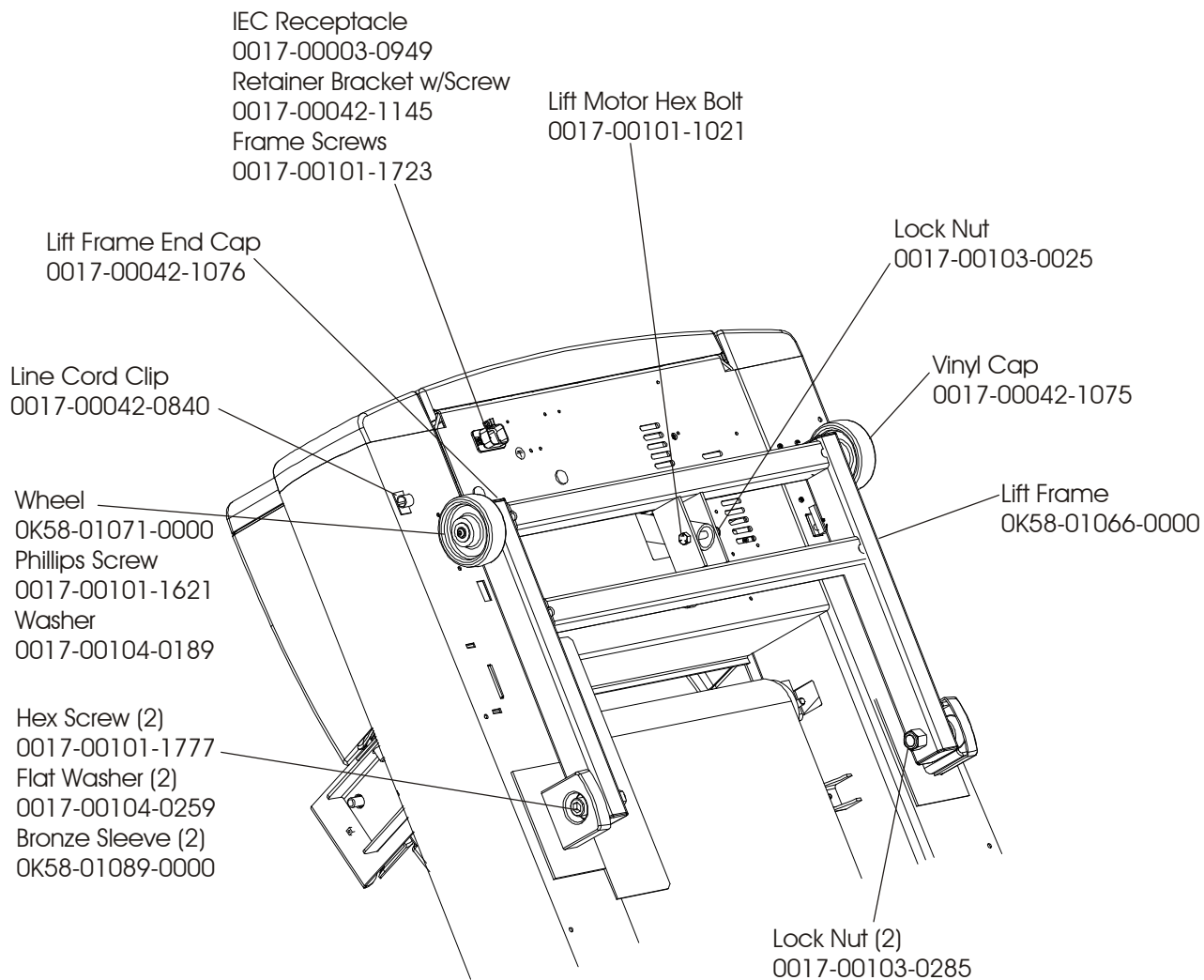


AK58-00372-0002	MTR-CNTRL W/FERRITE ASY: 100-120
<i>Model SKU</i>	<i>Description</i>
95TE-0100-01	95Te.ENG/ENG.120/60.DOM.NTSC
95TE-0105-01	95Te.ENG+MET.100/50.DOM.NTSC
95TE-0300-01	95Te.FRN/MET.120/60.DOM.NTSC
95TE-0400-01	95Te.SPN/MET.120/60.DOM.NTSC
95TE-0705-01	95Te.JAP/MET.100/50.DOM.NTSC
95TE-0800-01	95Te.POR/MET.120/60.DOM.NTSC
97TE-0100-01	97Te.ENG/ENG.120/60.DOM.NTSC
97TE-0105-01	97Te.ENG+MET.100/50.DOM.NTSC
97TE-0300-01	97Te.FRN/MET.120/60.DOM.NTSC
97TE-0400-01	97Te.SPN/MET.120/60.DOM.NTSC
97TE-0705-01	97Te.JAP/MET.100/50.DOM.NTSC
97TE-0800-01	97Te.POR/MET.120/60.DOM.NTSC
AK58-00372-0003	MTR-CNTRL W/FERRITE ASY: MFG.200-240
<i>Model SKU</i>	<i>Description</i>
95TE-0101-01	95Te.ENG+MET.230/50.CON.PAL
95TE-0102-01	95Te.ENG+MET.240/50.U.K.PAL
95TE-0103-01	95Te.ENG+MET.220/60.DOM.NTSC
95TE-0104-01	95Te.ENG+MET.240V+. AUS.PAL
95TE-0106-01	95Te.ENG+MET.200/50.DOM.NTSC
95TE-0109-01	95Te.ENG+MET.230/50.U.K.PAL
95TE-0201-01	95Te.GER/MET.230/50.CON.PAL
95TE-0301-01	95Te.FRN/MET.230/50.CON.PAL
95TE-0401-01	95Te.SPN/MET.230/50.CON.PAL
95TE-0501-01	95Te.ITL/MET.230/50.CON.PAL
95TE-0601-01	95Te.DUT/MET.230/50.CON.PAL
95TE-0801-01	95Te.POR/MET.230/50.CON.PAL

TREADMILL 95TE

Lift Motor and Frame

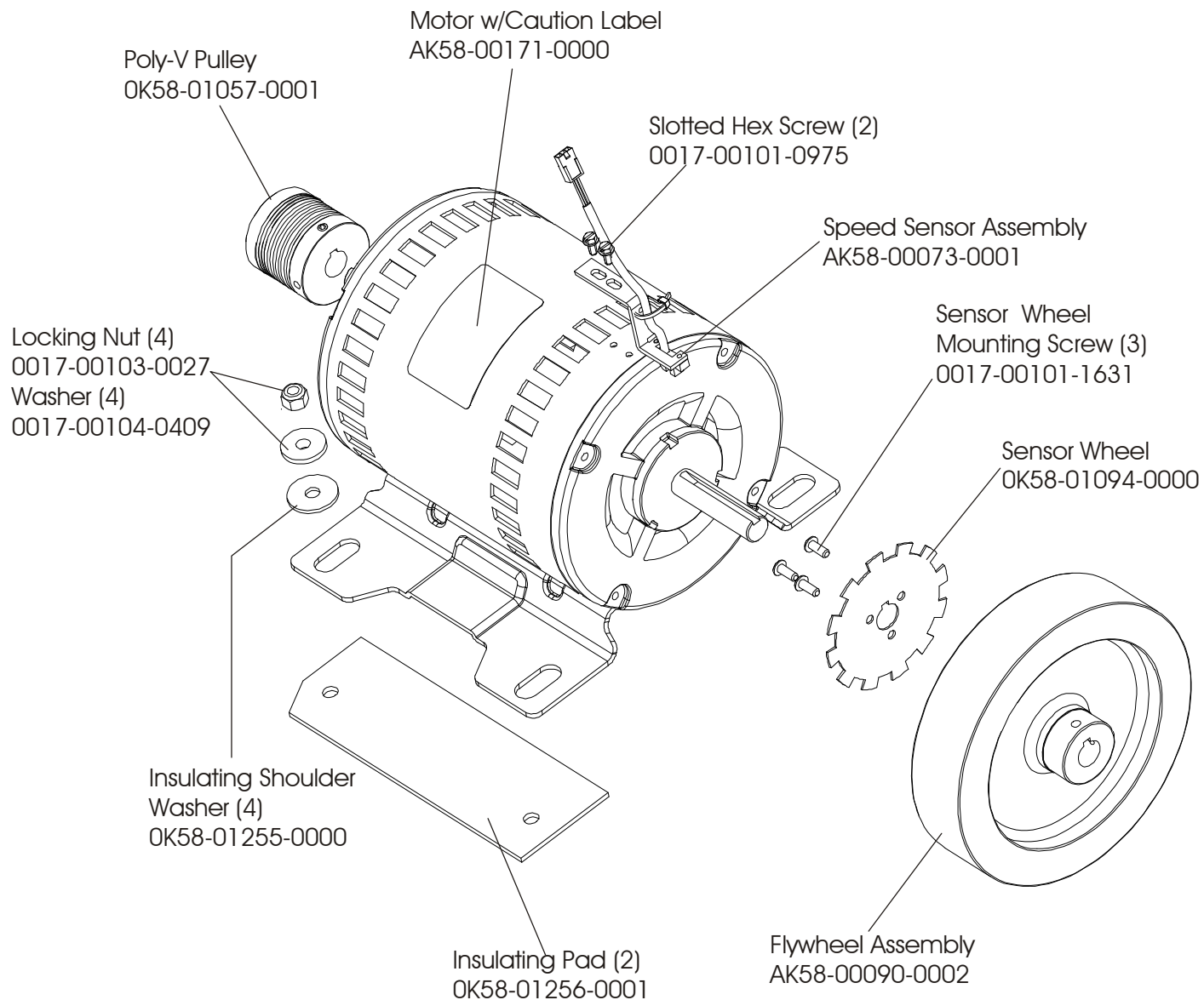
95TE-0__ _ 01
TTE100000

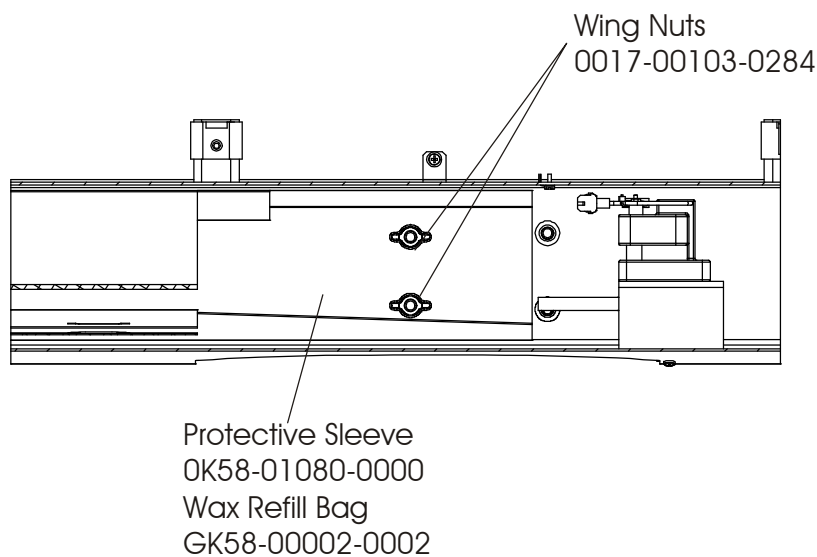
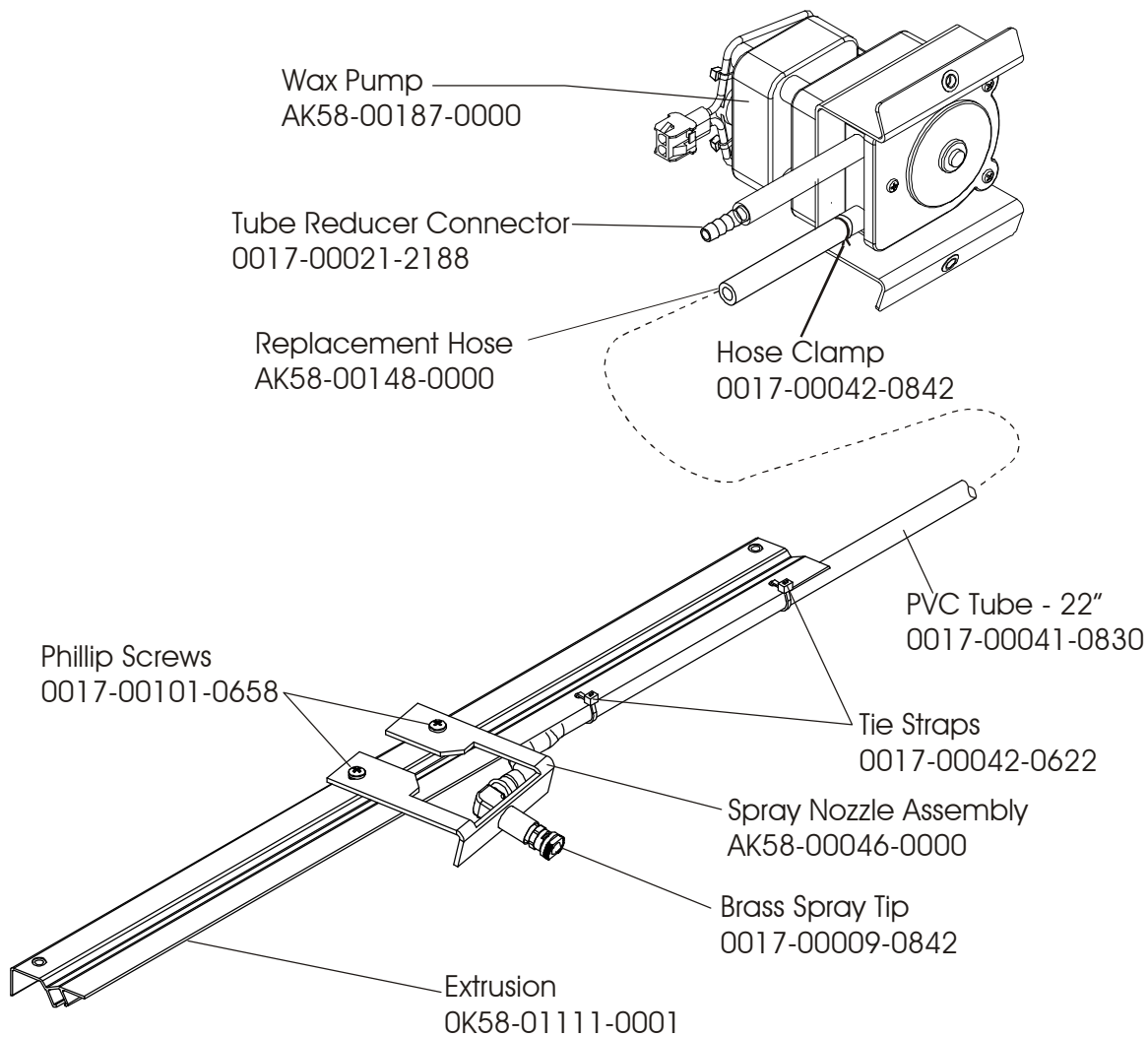


TREADMILL 95TE

Drive Motor Assembly

95TE-0__ _ 01
TTE100000



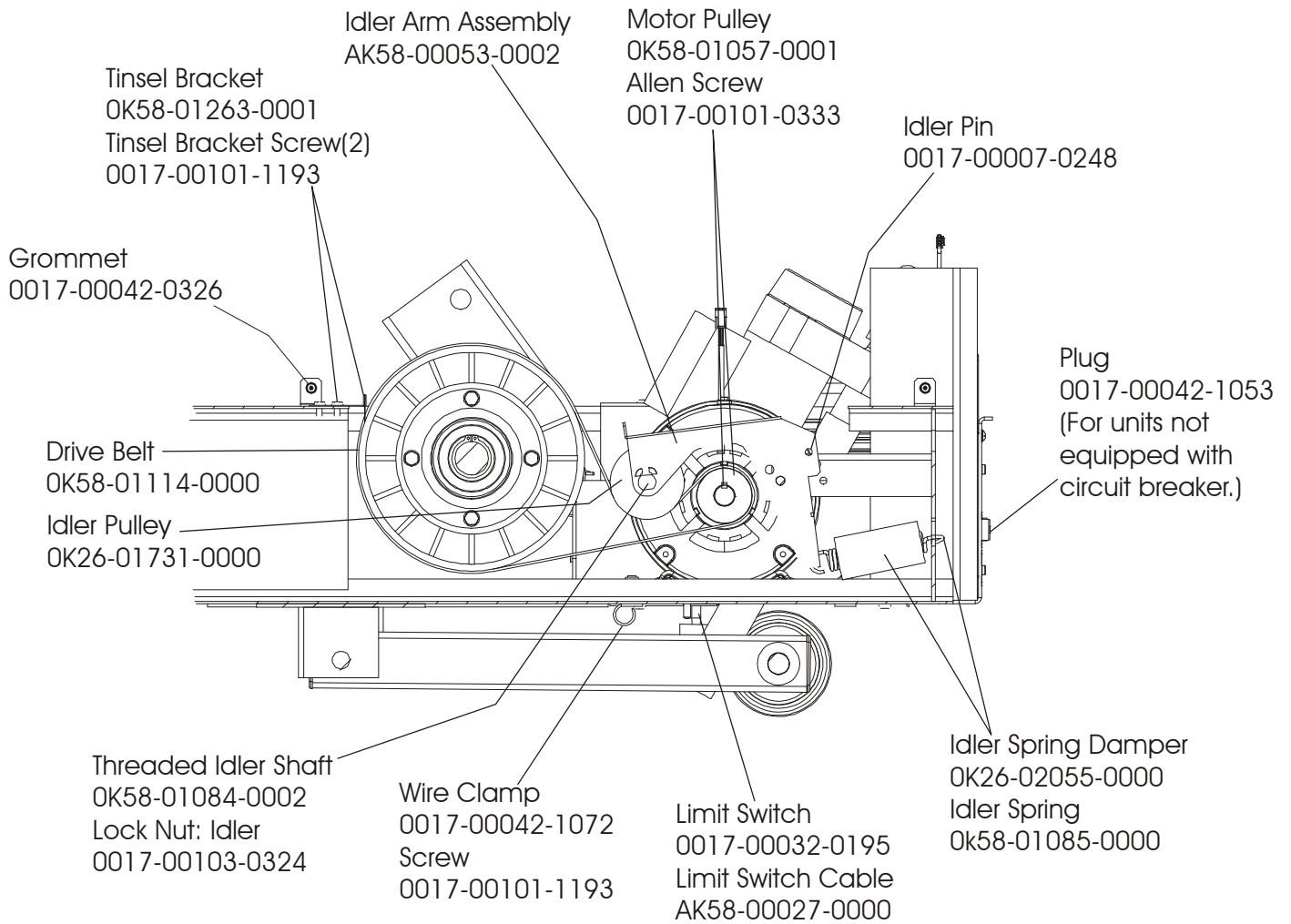


TREADMILL 95TE

Idler Arm Assembly & Static Brush

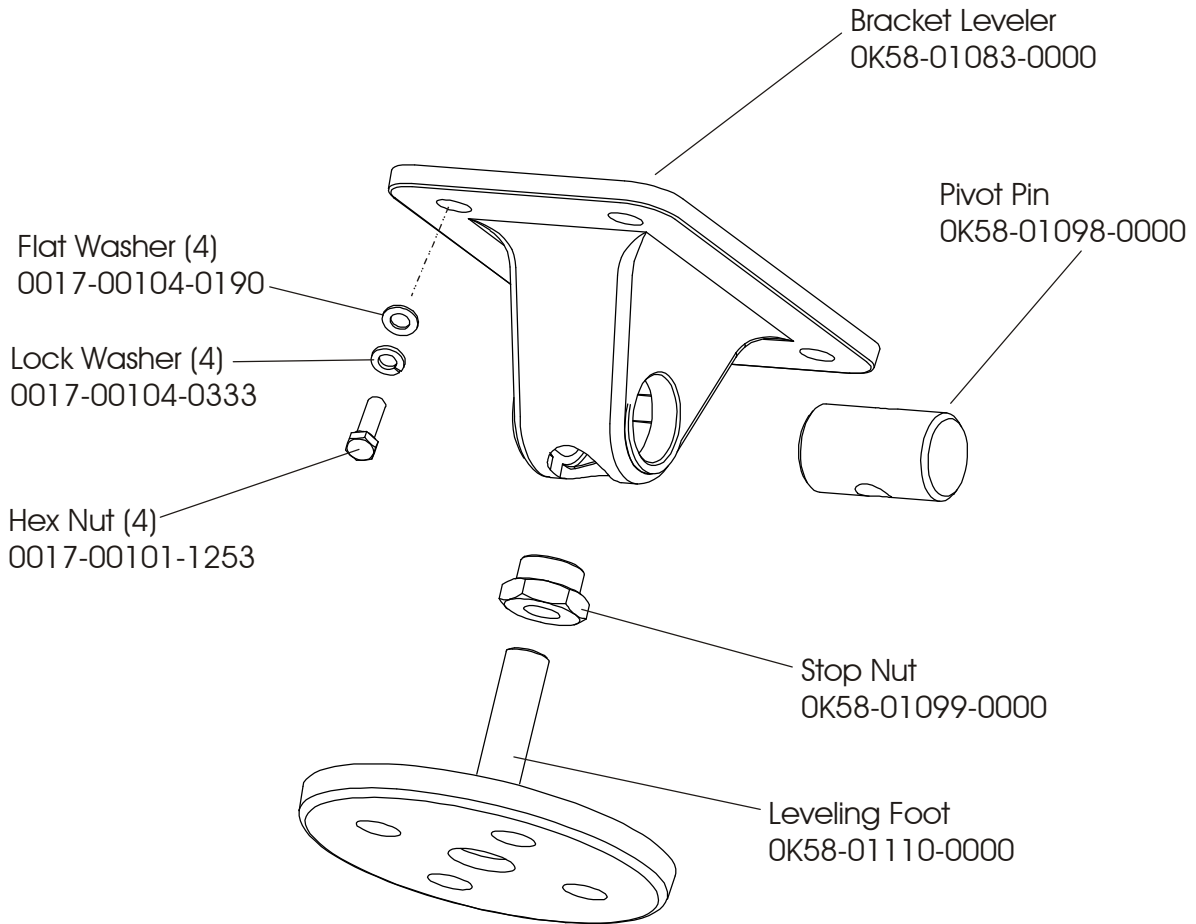
95TE-0__ _ 01

TTE100000



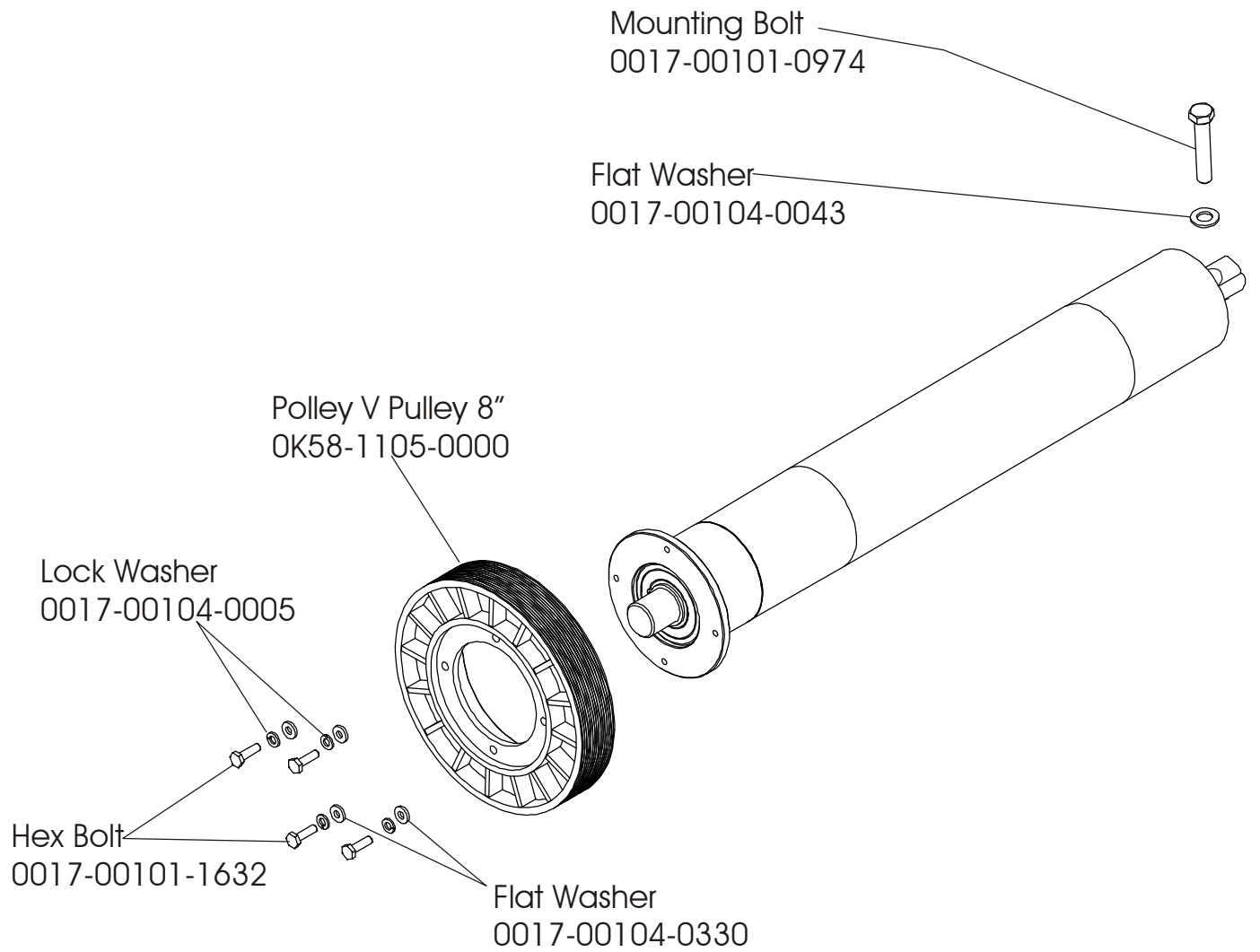
TREADMILL 95TE
Leveler Assembly AK58-00052-0000

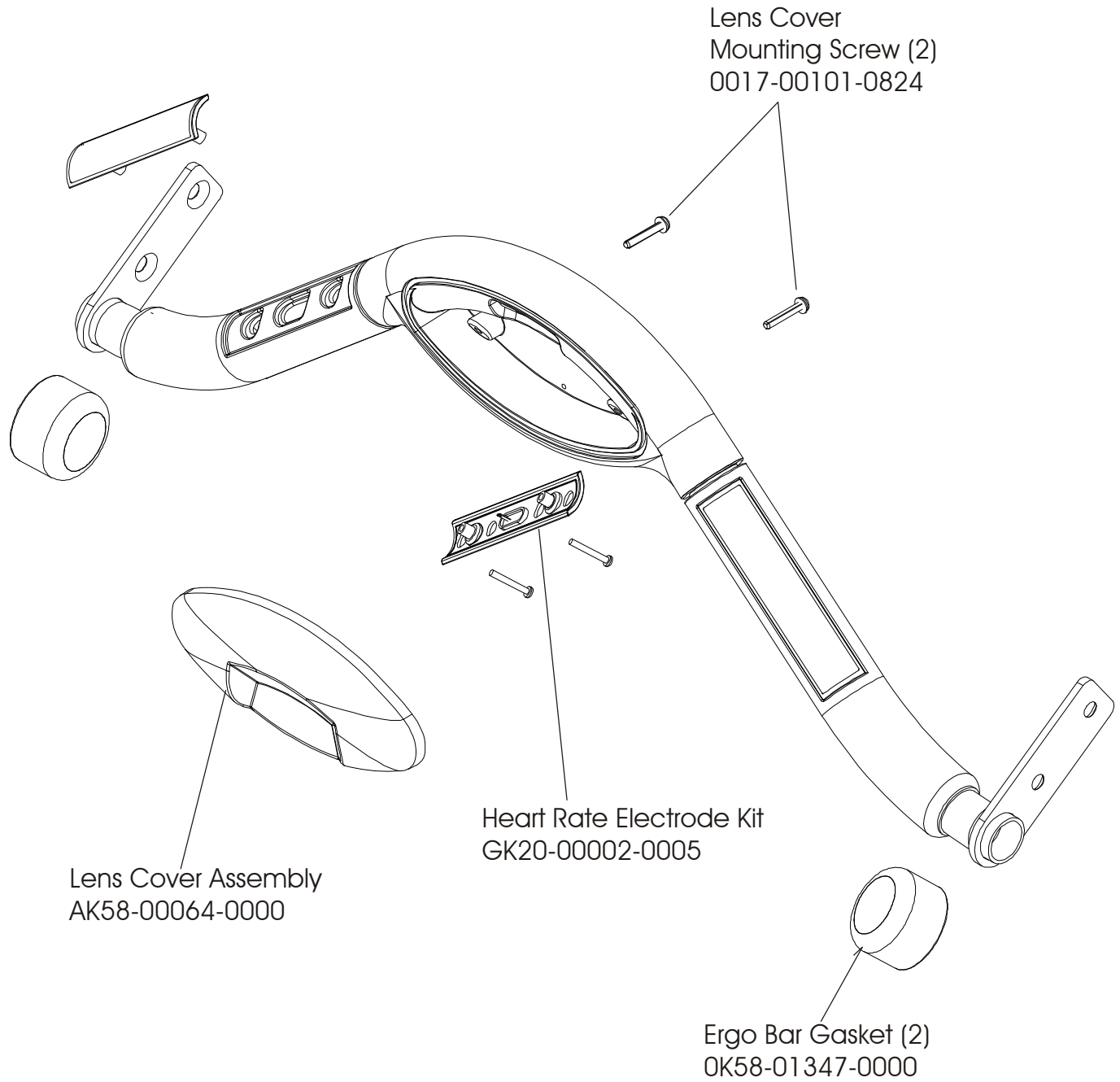
95TE-0__ _ 01
TTE100000



TREADMILL 95TE
Front Roller Assy AK58-00066-0000

95TE-0__ _ 01
TTE100000

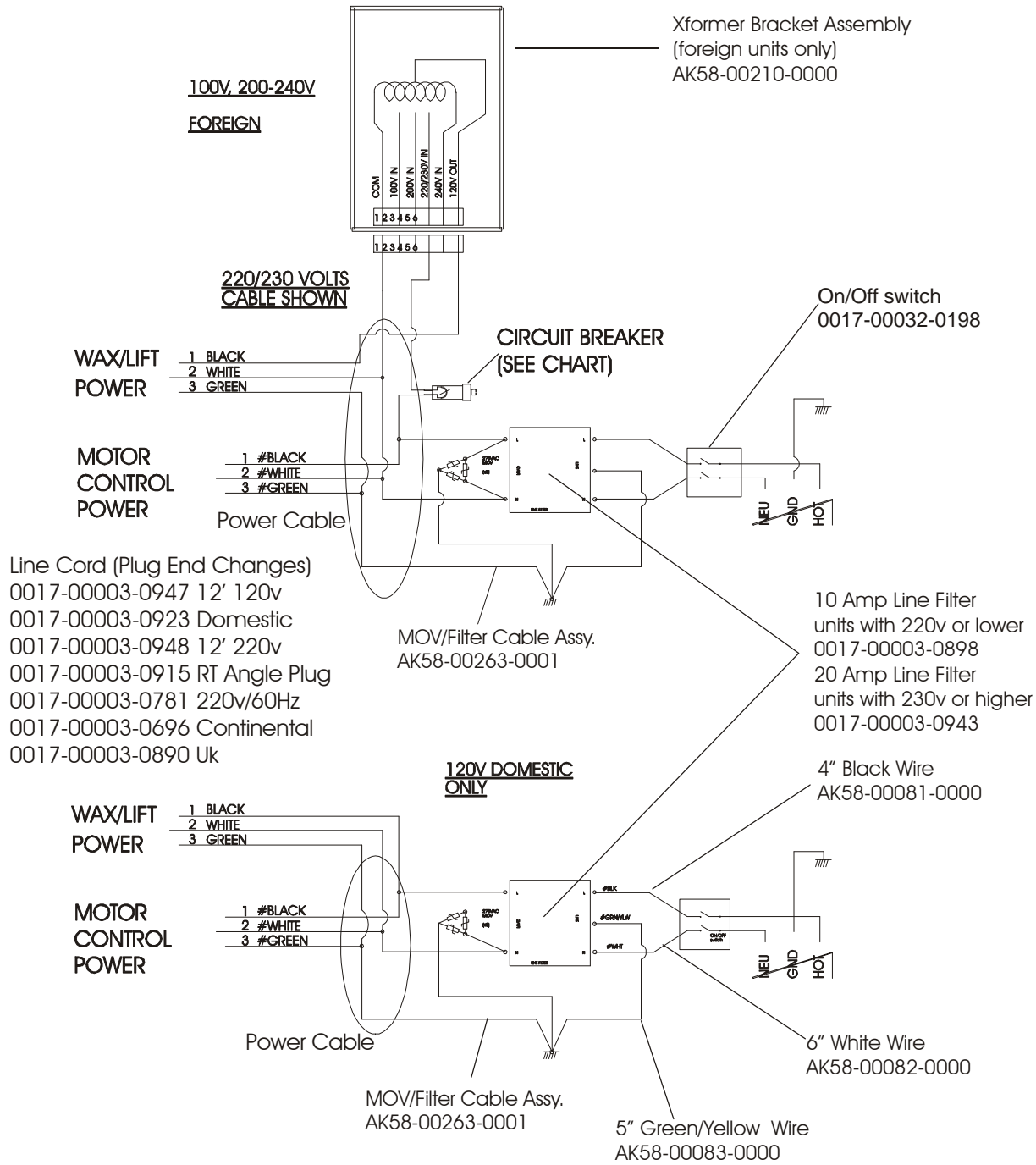




TREADMILL 95TE

Power Components

95TE-0__ _ 01
TTE100000



Voltage	Power Cable Part No.	Breaker AMP/Part No.
120v	AK58-00222-0000	NONE
100v	AK58-00302-0001	4 AMP/0017-00003-0950
200v	AK58-00302-0002	2 AMP/0017-00003-0626
220/230v	AK58-00302-0003	2 AMP/0017-00003-0626
240+	AK58-00302-0004	2 AMP/0017-00003-0626

